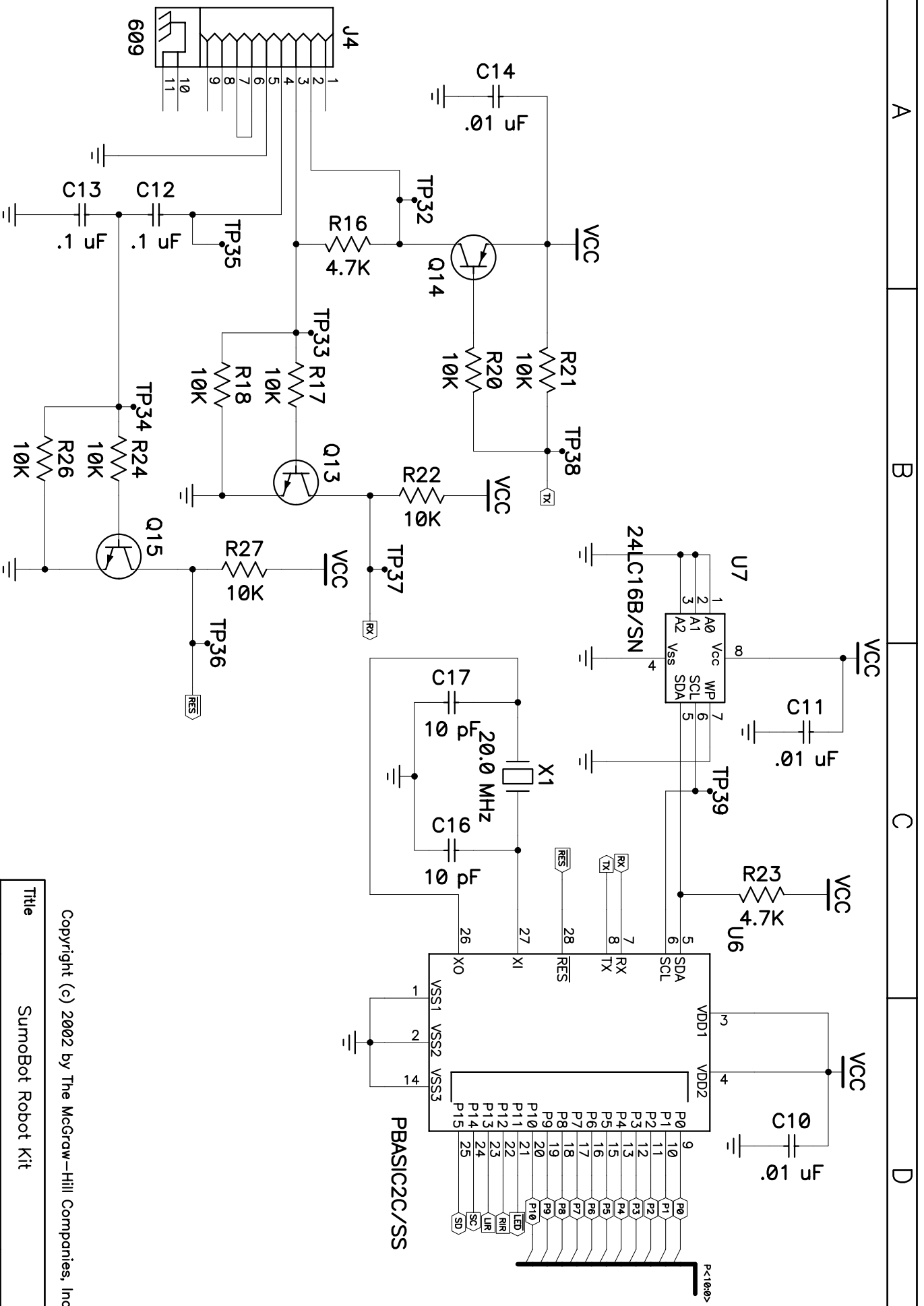


Copyright (c) 2002 by The McGraw-Hill Companies, Inc.

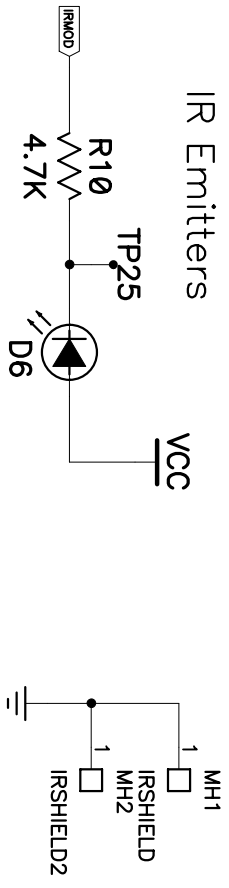
Title		SumoBot Robot Kit	
Size	Number	Rev	
A		C	
Date	6/16/2002	Drawn by B WRZ	
Filename	MHR3C.SCH	Sheet	1 of 4



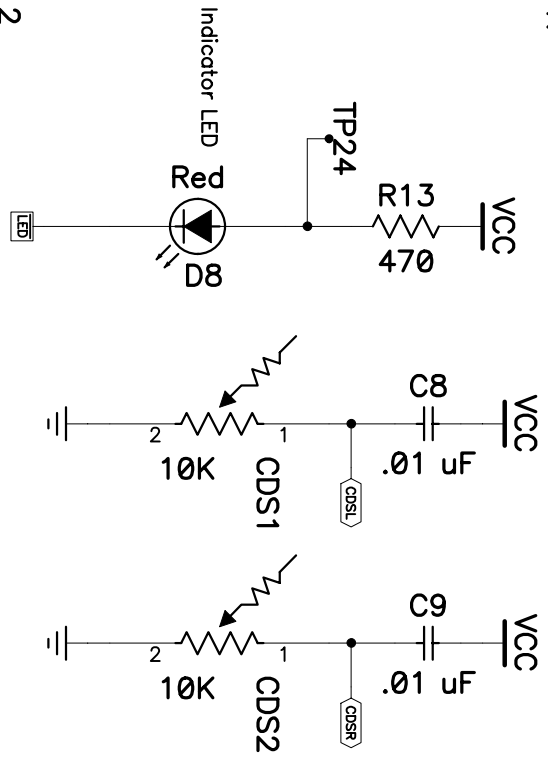
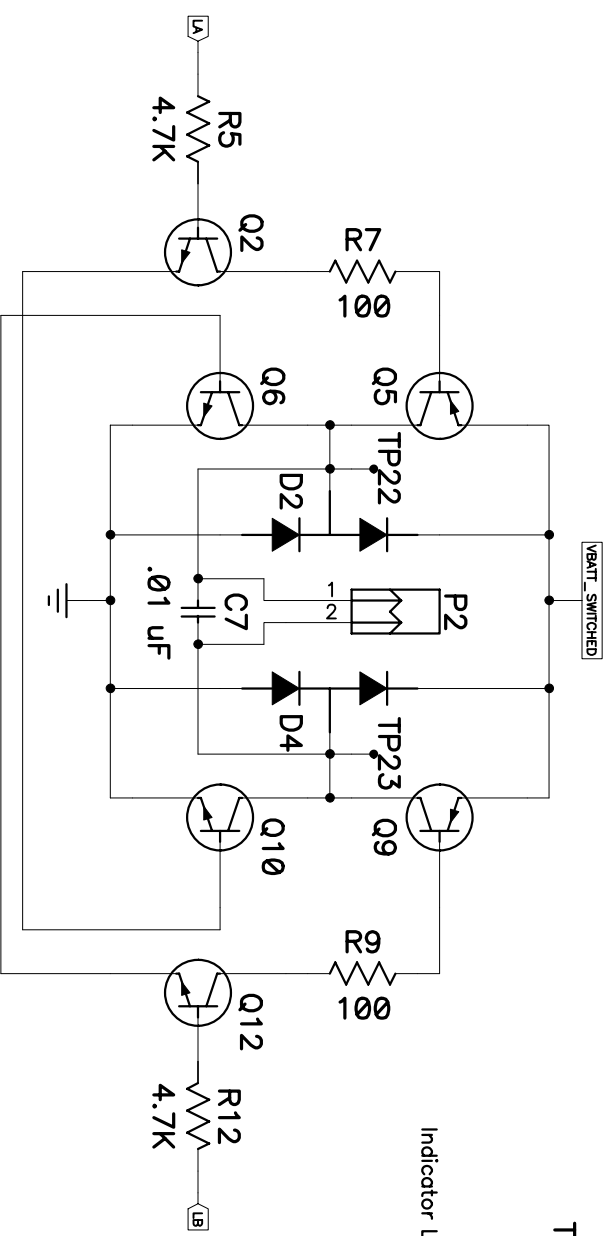
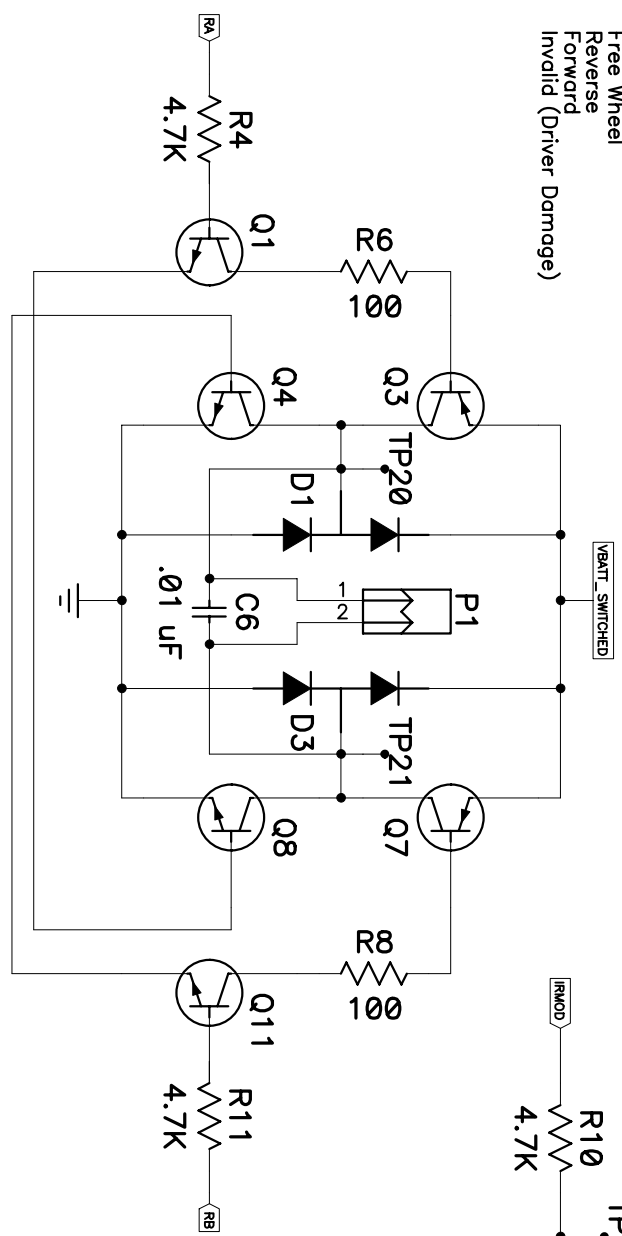
Copyright (c) 2002 by The McGraw-Hill Companies, Inc.

Title		SumoBot Robot Kit	
Size	Number	Rev	
A		C	
Date	6/16/2002	Drawn by	B WRZ
Filename	MHR3C.SCH	Sheet	2 of 4

1 RA State
 0 Free Wheel
 1 Reverse
 0 Forward
 1 Invalid (Driver Damage)



IR Hood Mounting Holes



Copyright (c) 2002 by The McGraw-Hill Companies, Inc.

Title		SumoBot Robot Kit	
Size	Number	Rev	
A		C	

Date	6/16/2002	Drawn by	B WRZ
Filename	MHR3C.SCH	Sheet	3 of 4

A

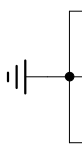
B

C

D

Processor Test Points

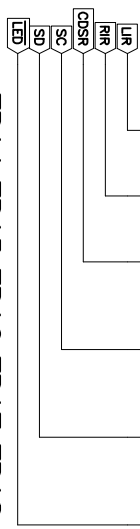
TP7 TP5 TP6



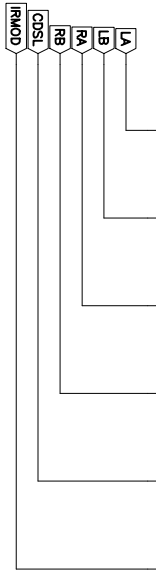
Revision Identifier
TP28 TP29 TP30



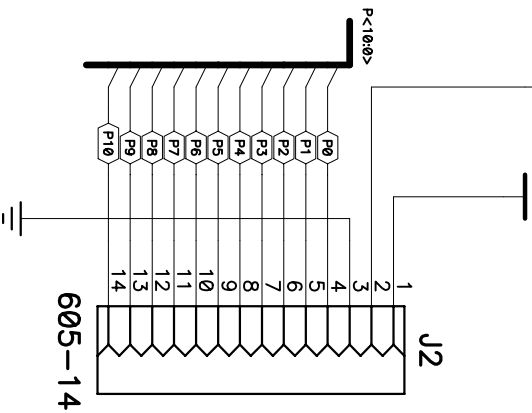
TP8 TP9 TP10 TP11 TP12 TP13



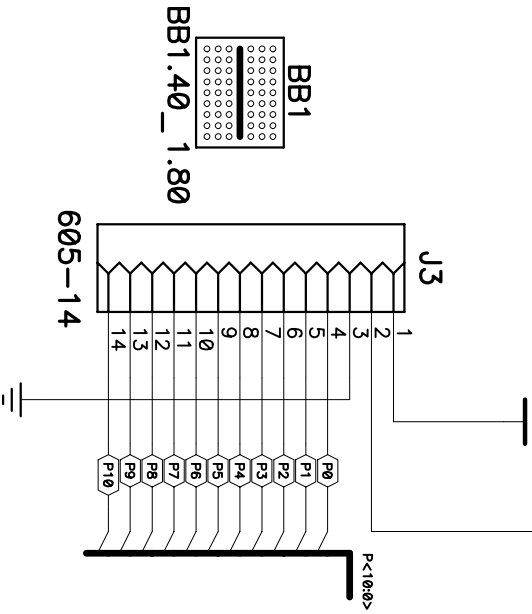
TP14 TP15 TP16 TP17 TP18 TP19



VBAT_SWITCHED VCC



VCC VBAT_SWITCHED



Copyright (c) 2002 by The McGraw-Hill Companies, Inc.

Title		SumoBot Robot Kit	
Size	Number	Rev	
A		C	

Date	6/16/2002	Drawn by	B WIRZ
Filename	MHR3C.SCH	Sheet	4 of 4

A

B

C

D

4

4

3

2

1

4

3

2

1